

CMP

Packaged Heating Pump without Outdoor Unit

Cooling capacity 2,35k
Heating capacity 2,36kW

Vertical installation



- Vertical installation
- Ideal solution for local residential and commercial use enough a wall where make two holes
- Low electrical consumption



FEATURES

CMP231 is the Aermeac room air conditioner that needs no outdoor unit, simply make two 162mm holes in the perimeter wall, to allow the air conditioner exchanging heat with the outdoor environment.

CMP231 is a double duct monobloc conditioner, extremely thin, with its depth of only 16 cm, and with elegant design that makes it suitable for all types of rooms.

The absence of an outdoor unit makes it possible to install CMP231 in all cases where architectural constraints prevent the installation of a split air conditioner. CMP231 installation is extremely simple, even the flow and suction grids can be fitted from the inside, once the two holes in the perimeter wall have been made.

The New BLDC Inverter technology (Brushless Direct Current), for compressor and fans, reduces energy consumption, controls with precision performance and air flow for improved room comfort and finally achieves exceptional sound pressure values. The

Inverter technology allows achieving the energy efficiency class A+ when cooling and at partial loads power consumption falls below 300W.

The CMP231 is equipped with a touch control panel installed on the unit, but is also supplied with a handy-sized remote control that can be fixed to the unit's panel thanks to its built-in magnet.

From the control panel you can exclude the Heating mode, transforming the CMP231 in a Cooling Only unit, avoiding the creation of the condensate drain necessary, instead, in winter operation to dispose of the water generated during the defrost cycle. In this regard, to facilitate this drain, the condensate collection tray is heated by the cooling circuit to avoid blockages related to the presence of ice during the winter season.

TECHNICAL DATA

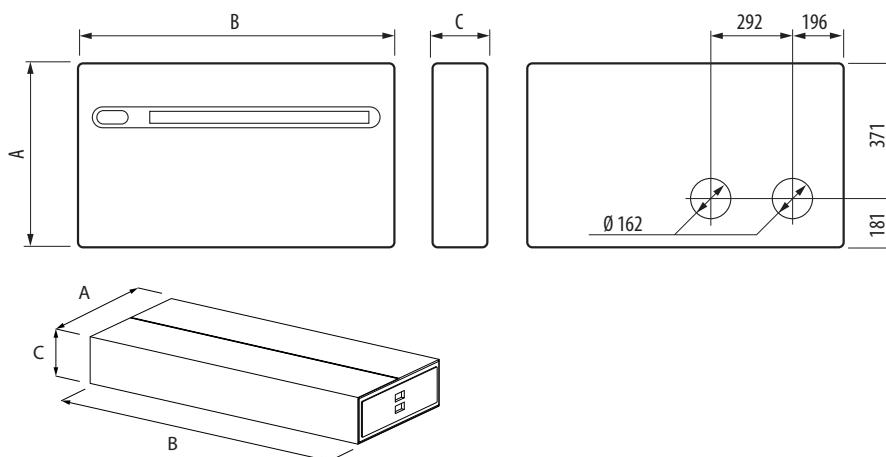
| | | |
|---|-----------|---------------------|
| CMP | | 23I |
| Power supply | V/ph/Hz | 230V~50Hz |
| Cooling performance | | |
| Cooling Capacity | (1) kW | 2,35 |
| Cooling Power Input | (1) kW | 0,73 |
| EER | | 3,22 |
| Energy Efficiency Class | (2) | A+ |
| Annual Power Consumption | kWh | 425 |
| Moisture Removed | l | 1,1 |
| Heating performance | | |
| Heating Capacity | (3) kW | 2,36 |
| Cooling Power Input | (3) kW | 0,72 |
| COP | | 3,28 |
| Energy Efficiency Class | (2) | A |
| Compressor | | |
| Compressor | n° | 1 |
| Power Consumption min. | kW | 0,3 |
| Circuit | n° | 1 |
| Refrigerant | Type/GWP | R410A / 2088kgCO2eq |
| Fans | | |
| Fan | Type/n° | centrifugal/1 |
| Spedd indoor/outdoor | n° | 3 |
| Air flow rate spedd. max indoor/outside | m³/h | 400/480 |
| Air flow rate spedd. average indoor/outside | m³/h | 320/390 |
| Air flow rate spedd. min indoor/outside | m³/h | 270/340 |
| Diameter holes in the wall | | |
| Diameter holes in the wall | Ø | 162 |
| Interasse fori a parete | Ø | 293 |
| Sound data | | |
| Sound power level max | (4) dB(A) | 58 |
| Sound pressure level min./max. | (5) dB(A) | 36 / 46 |

| Range of operation | Room temperature | Outside air temperature |
|---------------------|-----------------------|-------------------------|
| Cooling mode (1) °C | 27°C D.B. / 19°C W.B. | 35°C D.B. / 24°C W.B. |
| Heating mode (1) °C | 20°C D.B. / 15°C W.B. | 7°C D.B. / 6°C W.B. |

Dati (14511:2013)

- (1) Ambient air temperature b.s. 27°C / b.u. 19°C, Outside air temperature b.s. 35°C / b.u. 24°C (EN 14511)
- (2) EEC Efficiency Energy Class 626/2011
- (3) Ambient air temperature b.s. 20°C / b.u. 15°C, Outside air temperature b.s. 7°C / b.u. 6°C (EN 14511)
- (4) Water evaporator 23°C/18°C, External air 35°C
- (5) Sound Pressure level 1,5 m front distance
- (5) Inside Sound pressure measured in a semi anechoic chamber

DIMENSION (MM)



PACKAGING (example)

| Mod COMPACT | | | 23 |
|---------------------|---|------|--------------|
| Height | A | (mm) | 555 |
| Larghezza | B | (mm) | 1030 |
| Depth | C | (mm) | 170 |
| Weight | | (kg) | 48 |
| Dimension PACKAGING | | | |
| A/B/C | | (mm) | 660/1100/260 |